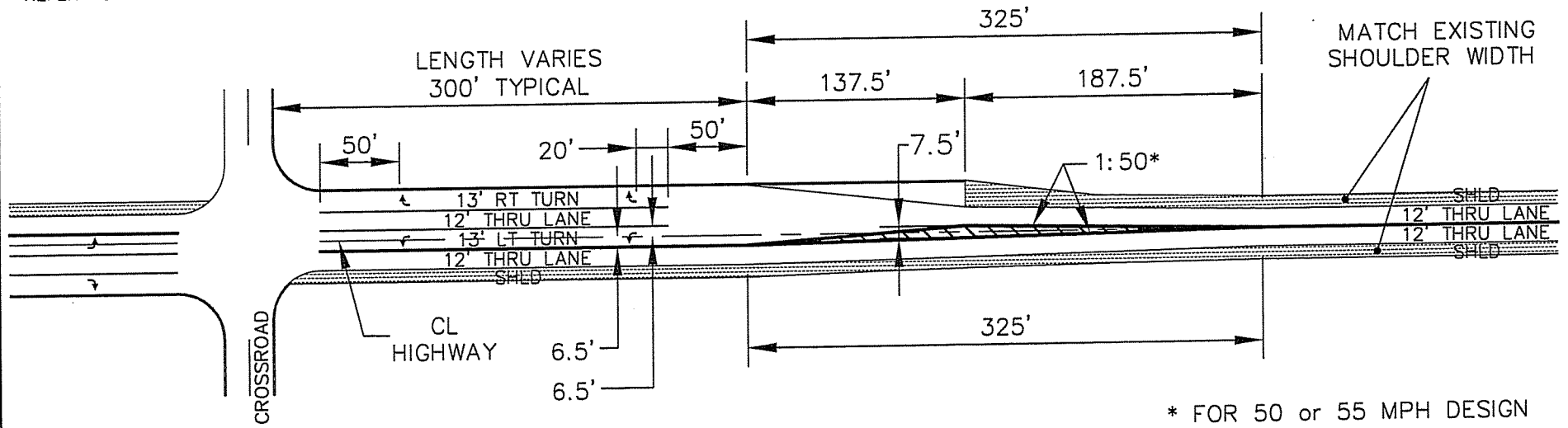
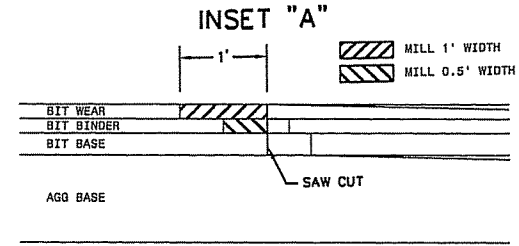
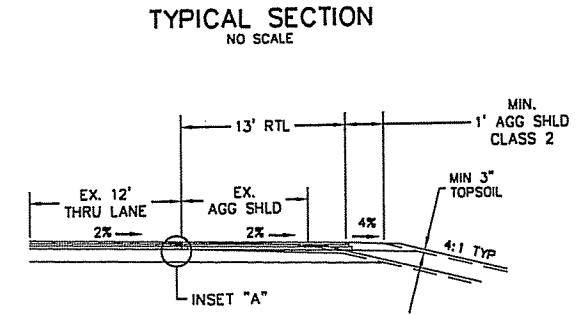
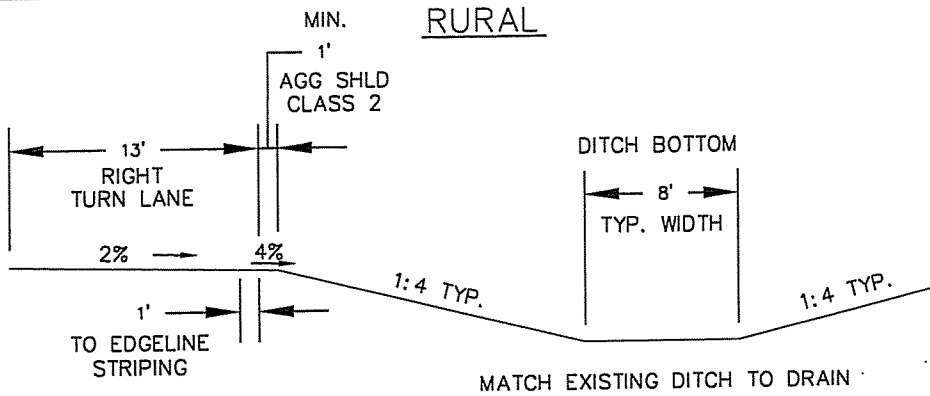


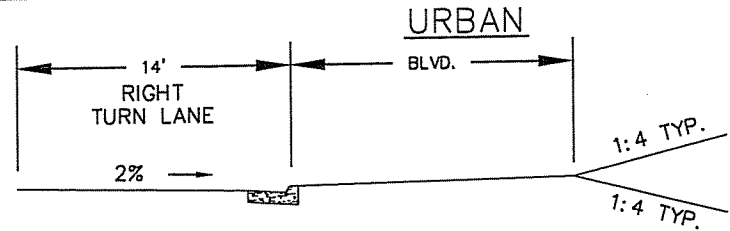
NOTE: ALL STRIPING SHALL BE EPOXY PER SCOTT COUNTY REQUIREMENTS.
REFER TO MnDOT TRAFFIC ENG. MANUAL - FIGURE 7.9 FOR STRIPING DETAIL.



* FOR 50 or 55 MPH DESIGN



F:\P\Design_Center\dwg\Exhibits\LtTurnLane.dwg 10/28/08



STANDARD BOULEVARD WIDTH IS 15'.
BOULEVARD MUST MATCH EXISTING
ROADWAY DESIGN.

LEFT TURN LANE DETAIL