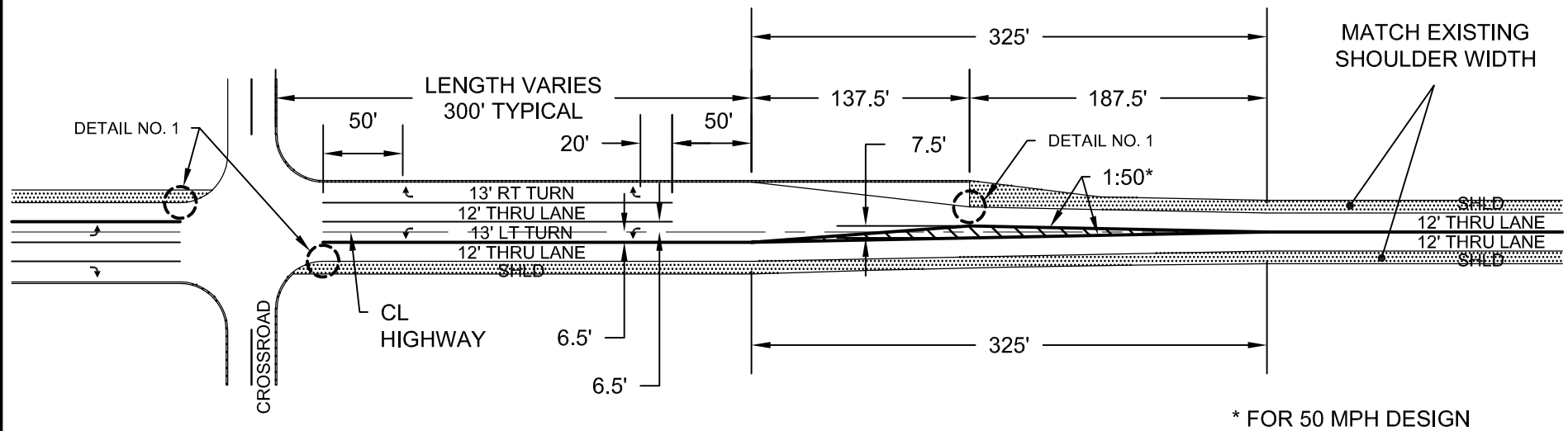
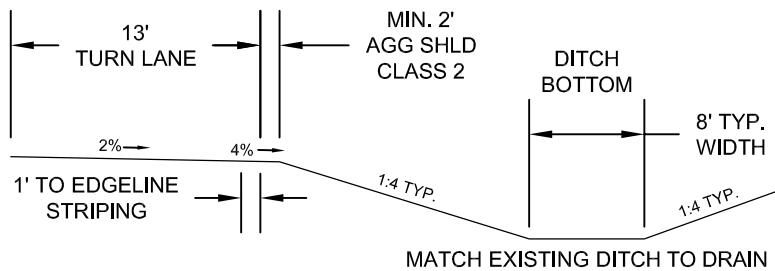


REFER TO MnDOT TRAFFIC ENMANUAL - FIGURE 7.9 FOR STRIPING DETAIL.

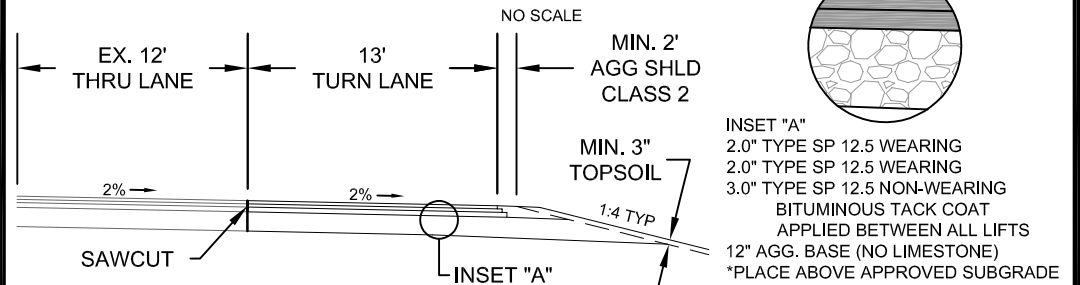


\* FOR 50 MPH DESIGN

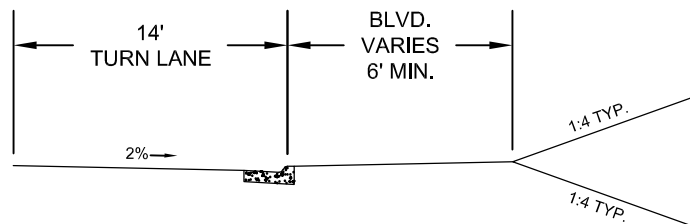
RURAL



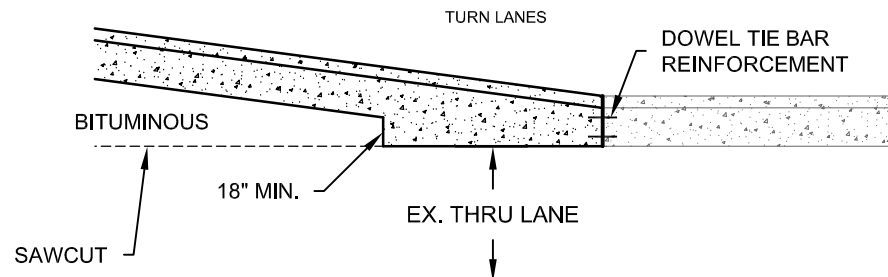
TYPICAL SECTION



URBAN



DETAIL NO. 1 - URBAN TIE IN



LEFT TURN LANE DETAIL